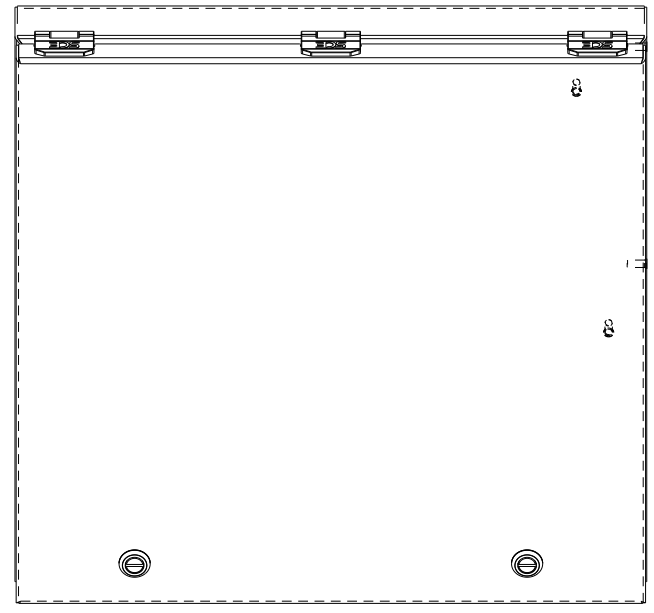
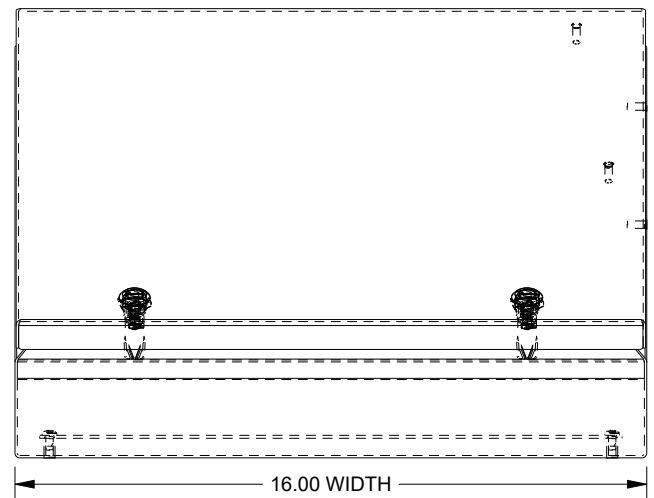


# SAGINAW CONTROL & ENGINEERING

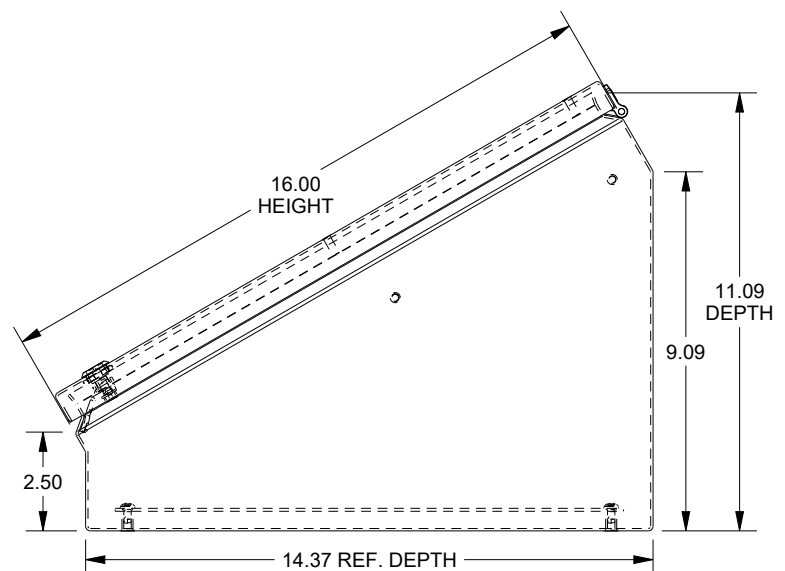
## SCE-16C16ELJ



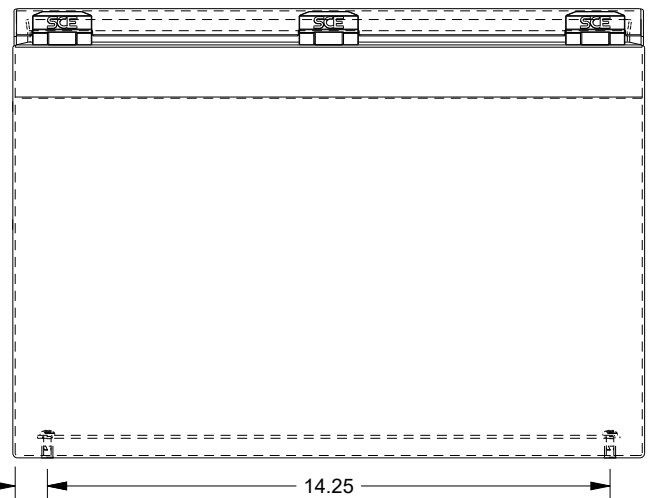
TOP VIEW



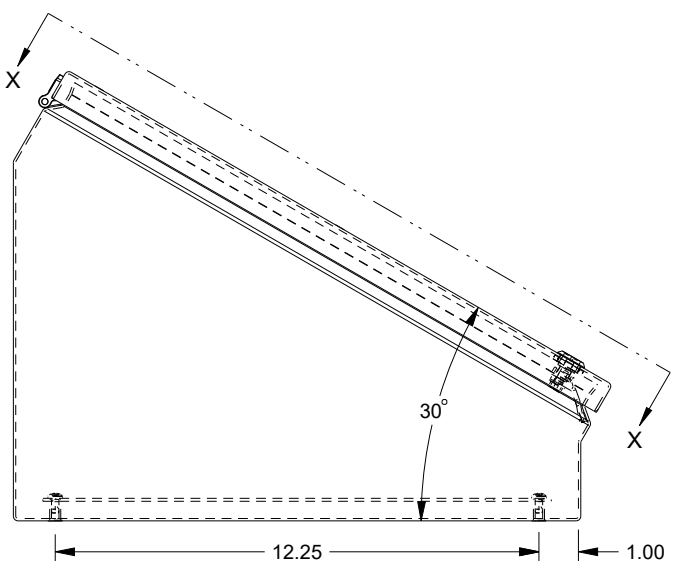
FRONT VIEW



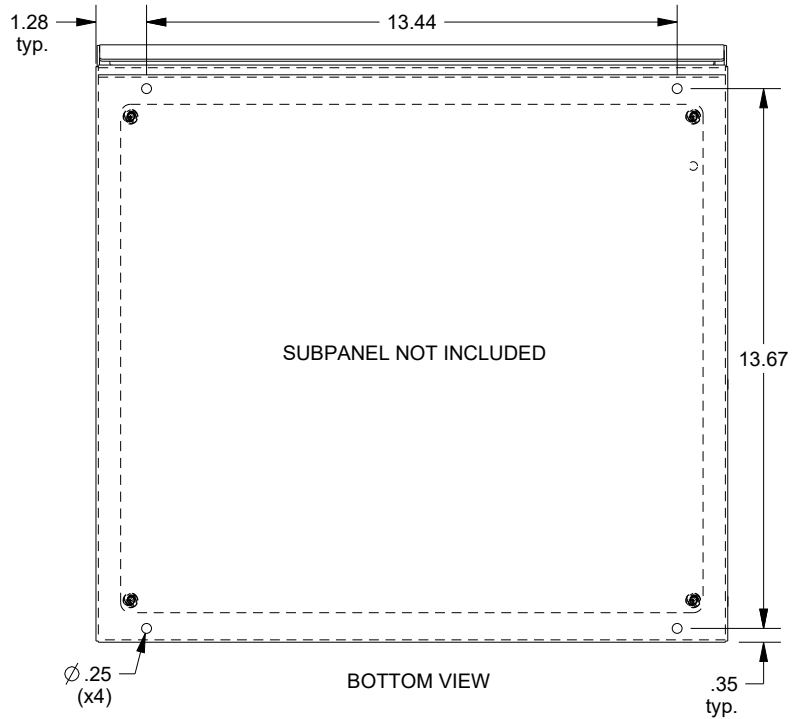
RIGHT SIDE VIEW



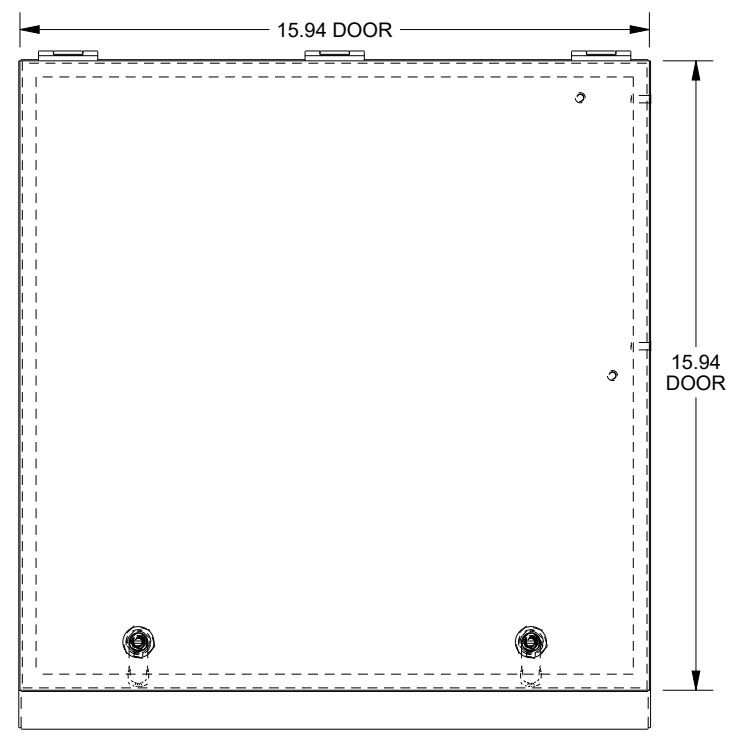
REAR VIEW



LEFT SIDE VIEW



BOTTOM VIEW



SECTION X-X